



Wireless antenna module
FAM14

Only skilled electricians may install this electrical equipment otherwise there is the risk of fire or electric shock!

Temperature at mounting location:
-20°C up to +50°C.
Storage temperature: -25°C up to +70°C.
Relative humidity:
annual average value <75%.

valid for devices from production week 10/14 (see bottom side of housing)

Wireless antenna module for the Eltako RS485 bus with exchangeable antenna. With integrated power supply unit 12V DC-1A. Bidirectional. Encrypted wireless. Only 1 watt standby loss. If required, a wireless antenna FA250 or FA200 can be connected.

Modular device for DIN-EN 60715 TH35 rail mounting. 2 module = 36 mm wide, 58 mm deep.

Supply voltage 230V.

The delivery includes 2 terminators with printing Ω , 1/2 module, 3 jumpers 1 module (including 1 spare), 2 jumpers 1/2 module (including 1 spare) and 1 jumper installation tool SMW14.

The wireless antenna module FAM14 receives and tests all signals from wireless transmitters and repeaters within its receiving range. These are transmitted via an RS485 interface to RS485 bus switching actuators connected in series:

Up to 126 channels can be connected to the Eltako RS485 bus. Bus cross wiring and power supply with jumper.

The attached second terminator should be plugged to **the last actuator**.

Starting in production week 10/14, you can teach in up to 128 encrypted sensors.

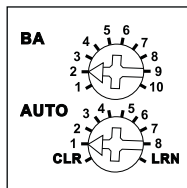
Mini USB to connect to a PC, to create an equipment list, to configurate the

actuators using the PC tool PCT14 and for data backup. A legalization code to download the PCT14 from the Eltako homepage www.eltako.com is included in the FAM14.

Gateways FGW14 and FGW14-USB will be connected to the terminal HOLD when they connect a PC with a RS232 bus and/or up to 3 wireless receiver modules FEM with a sub-bus RS485.

FTS14EM, FTS14KEM, FTS14KS and FTS14TG will be also connected to terminal Hold.

Function rotary switches



The lower rotary switch is required to teach in encrypted sensors and can be turned to AUTO 1 in operation.

Unencrypted sensors need not be taught-in in the FAM14.

When **the top rotary switch** is set to **position 1**, a bus scan can be performed. Then addresses (1..126) for new actuators will be assigned which were successively set to LRN. The bottom LED flashes red, when an address was assigned the LED flashes green for 5 seconds.

When **the top rotary switch** is set to **position 2** or after switching on the supply voltage, a bus scan is performed and a scan list is created. Then incoming wireless messages are delivered to the bus, confirmation telegrams of actuators are cyclically requested for scan lists and sent into the Eltako wireless network. The bottom LED flashes red and lights up green for a short period if a telegram was sent.

Pos. 3: like position 2, but without sending into the Eltako wireless network.

Pos. 4: like position 3 but also status telegrams of the actuators are requested.

Pos. 5: incoming wireless telegrams are delivered to the bus, confirmation telegrams from the actuators for the device

list, which were created in the PC tool PCT14, are cyclically requested and sent to the Eltako wireless network. The bottom LED lights up green for a short period if a telegram was sent.

Pos. 6: like position 5, but without sending into the Eltako wireless network.

Pos. 7: like position 6 but also status telegrams of the actuators are requested.

Pos. 8: unidirectional operation, only incoming wireless telegrams are delivered to the bus.

Pos. 9: teaching-in wireless timer FSU14 in wireless actuators or reading and writing of the base ID of FAM14 with PC tool PCT14. Or sending telegrams into the bus and Eltako wireless network with PC software WinEtel.

Pos. 10: teaching-in of the wireless timer FSU14 into bus actuators or operating with PC tool PCT14. The lower LED flashes green and flickers during bus operation.

The upper LED displays all perceived wireless commands in the reception area by short flickering.

The bottom LED lights up green if a connection from the PC tool PCT14 to the FAM14 was created. When reading or writing date the LED flashes green. The green LED goes out if the connection from the PC tool PCT14 to the FAM14 was terminated.

At a load of more than 50% of the rated capacity of 12 W a ventilation clearance of 1/2 module must be maintained with the spacer DS14 on the left side.

Assign device address for actuators:

The rotary switch on the FAM14 is set to position 1, its lower LED flashes red. The rotary switch of the first actuator is set to LRN, the LED on the actuator flashes smoothly. After the address of the FAM14 was assigned, its lower LED flashes green for 5 seconds and the LED of the actuator goes out. Then set the second actuator to LRN etc. Caution! The bottom rotary switch of the FSU14 has to be on one channel.

Teach in encrypted sensors:

1. Turn the lower rotary switch to LRN. The upper LED flashes very rapidly.
2. Enable sensor encryption. The upper LED goes out.

3. Teach in the function of the encrypted sensor in the actuators.

To teach in other encrypted sensors, turn the lower rotary switch briefly away from position LRN and then turn it to 1.

With non-encrypted sensors which are already taught-in in actuators, you need not repeat the teach-in function in actuators after encryption is enabled or after teach-in in the FAM14.

If the encryption function in a sensor is disabled, it must be cleared in the FAM14 so that the actuators can continue to be activated.

With encrypted sensors, use the 'rolling code', i.e. the code changes in each telegram, both in the transmitter and in the receiver.

If a sensor sends more than 128 telegrams when the FAM14 is not enabled, the sensor is no longer recognised by the enabled FAM14 and you must repeat the teach-in function as 'encrypted sensor'. It is not necessary to repeat the teach-in function in the actuators.

Clear single taught-in encrypted sensors:

Turn the lower rotary switch to CLR. The upper LED flashes very rapidly. Enable sensor encryption. The upper LED goes out.

Clear all taught-in pushbuttons:

Within 10 seconds, turn the lower rotary switch three times to left stop CLR (turn anticlockwise) and back again. The upper LED lights up and goes out after 2 seconds. All encrypted sensors are cleared.

Configure FAM14:

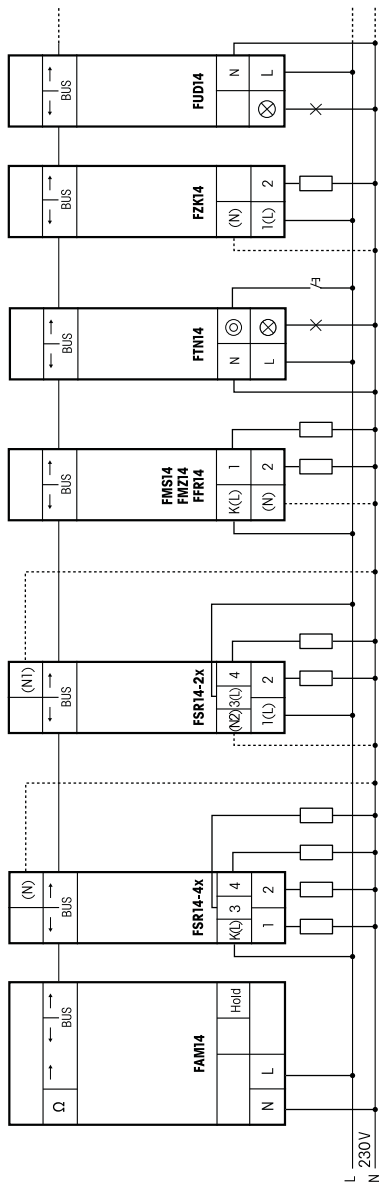
The following points can be configured with the PC tool PCT14:

- create device list
- read out base ID

CAUTION! Don't forget 'disconnect FAM' in the PC tool. While the connection from the PC tool to the FAM14 exists, no wireless commands are executed.

Typical connection

Wireless antenna module with wireless switching actuators connected in series

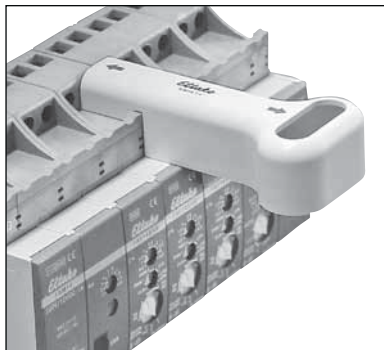


The attached second terminator should be plugged to the last actuator. or a terminating resistor has to be clamped to the terminals RSB/RSA of the last energy meter (120Ω, not included).



Attention!
Follow exactly this installation procedure:

1. Place all devices on the DIN rail.
2. Fasten the devices right and left with end clamps for DIN rail.
3. Connect all cables and wires.
4. Insert the jumpers, to do that, place the jumper into the tool SMW14 and connect it on the devices.



For connecting or removing the jumpers, only use the jumper installation tool SMW14 and move vertically to the DIN rail.

ELTAKO GmbH hereby declares that the products that relates to this operating manual, are in compliance with the essential requirements and other relevant provisions of directive 1999/5/EC.

A copy of the EU declaration of conformity can be requested at the address below.

Must be kept for later use!

We recommend the housing for operating instructions GBA14.

Eltako GmbH

D-70736 Fellbach

+49 711 94350000

www.eltako.com

08/2015 Subject to change without notice.